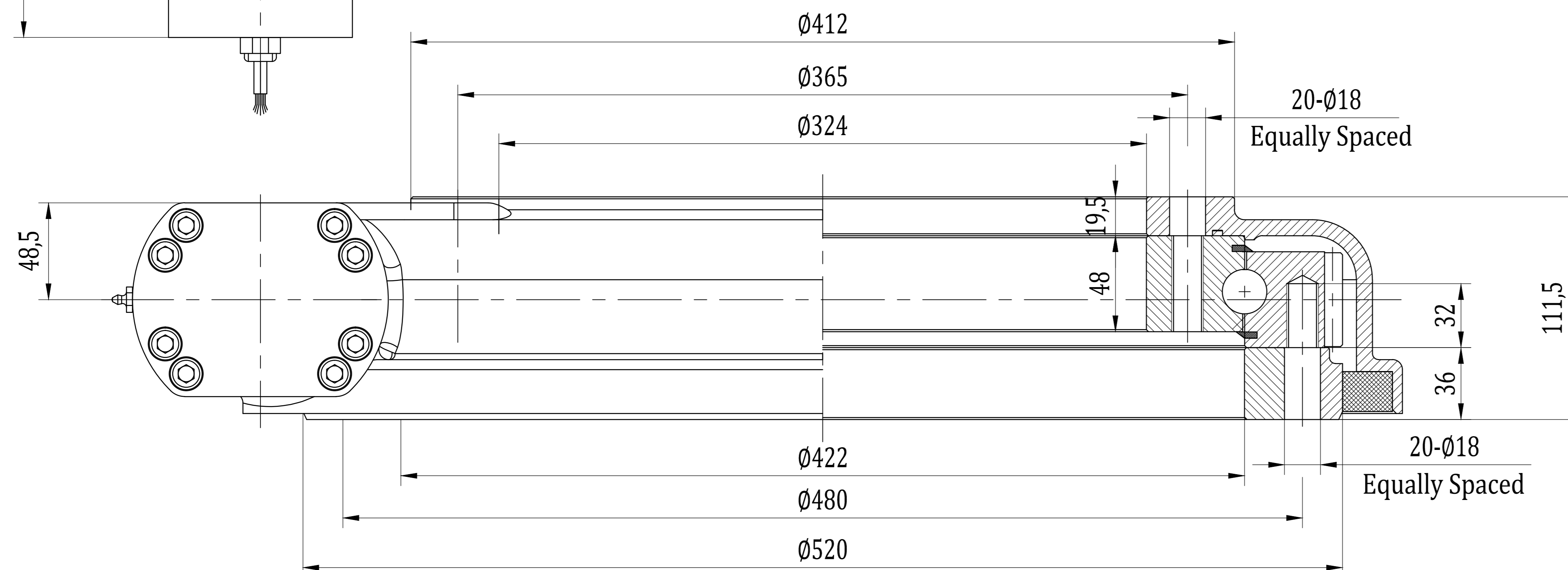
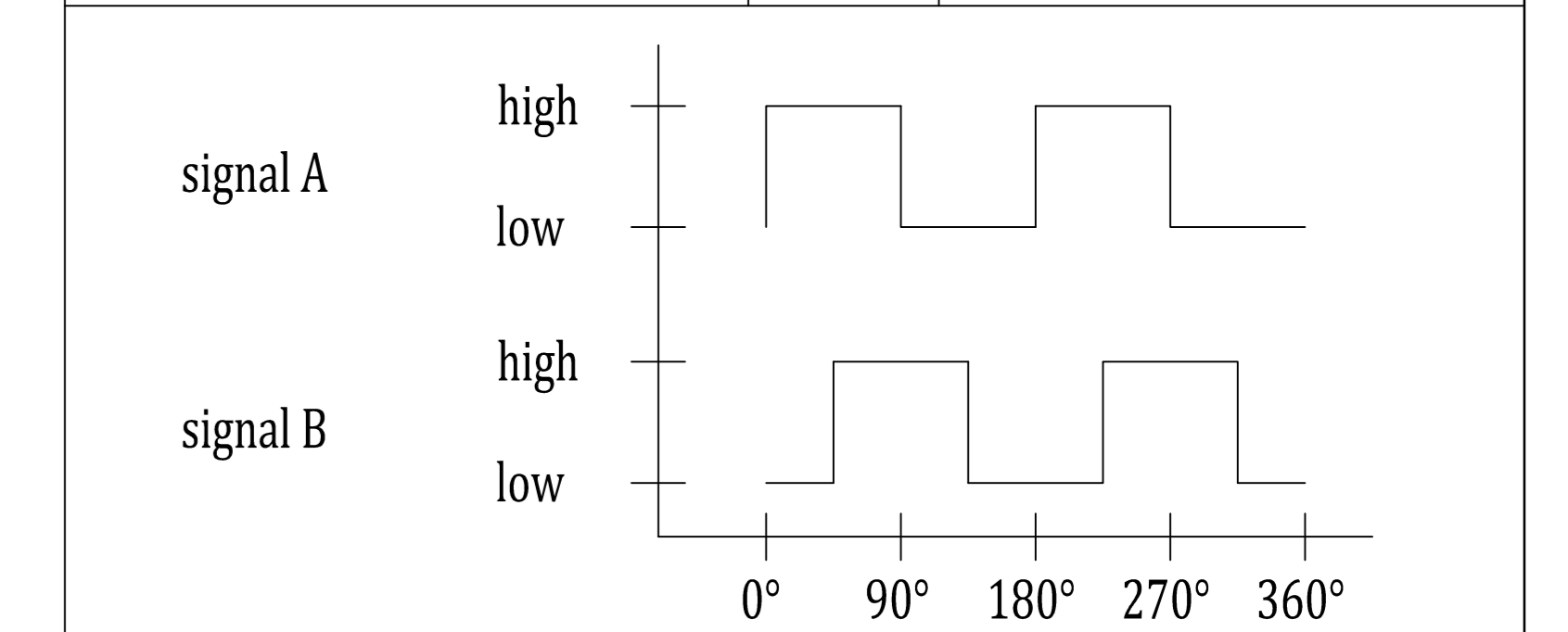
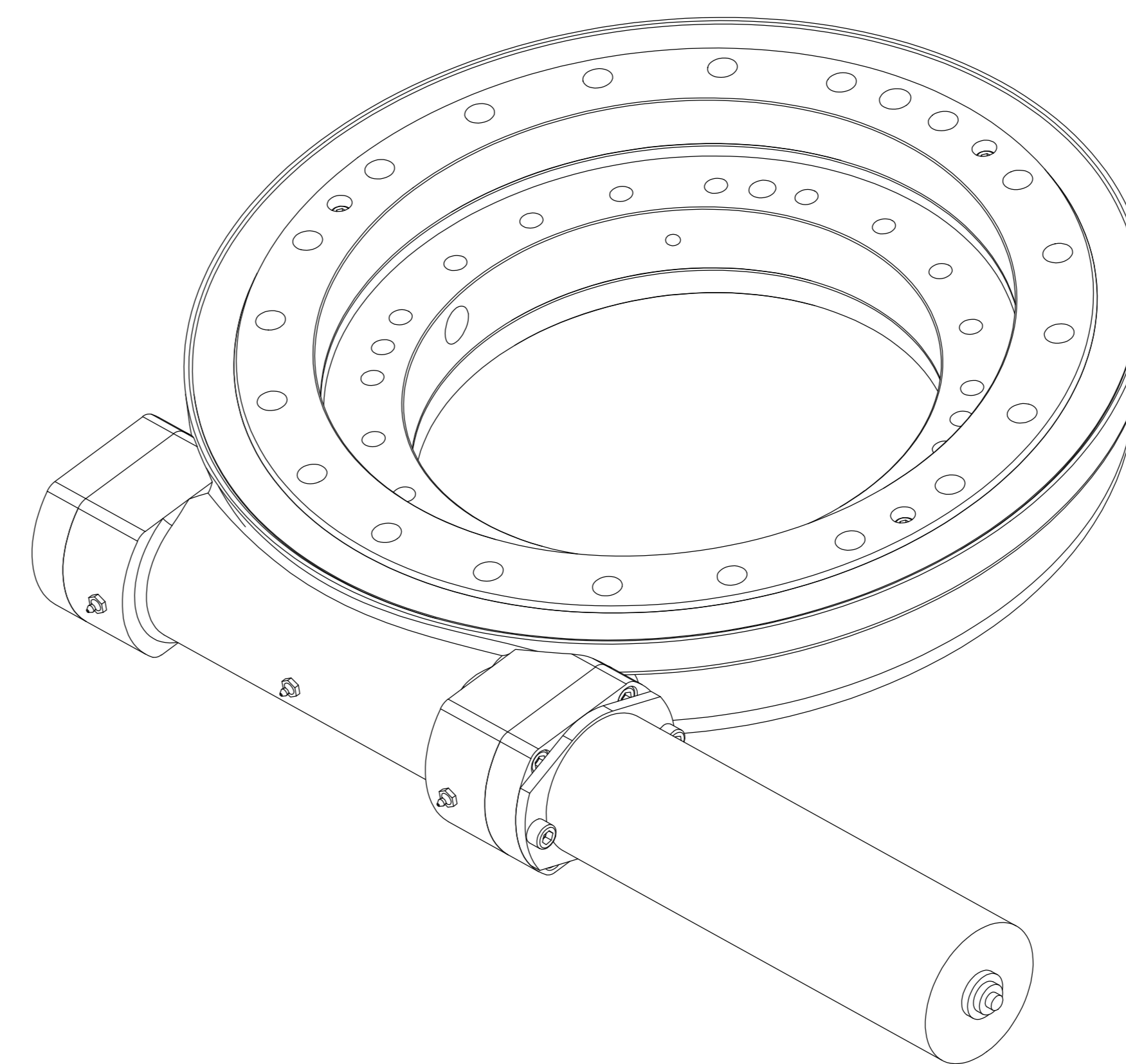

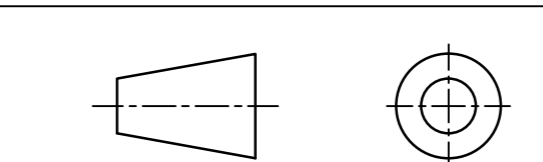


Slewing Drive Performance Parameters		
Rated Output Speed	<0.029rpm	
Output Torque	4.08 kN.m	3.01x10 ³ lbf.ft
Tilting Moment	135.6 kN.m	100x10 ³ lbf.ft
Holding Torque	72.3 kN.m	53.3 ³ lbf.ft
Static Axial Load Rating	970 kN	218.3x10 ³ lbf
Static Radial Load Rating	390 kN	87.8x10 ³ lbf
Gear Ratio	102:1	
Precision	≤0.17°	
24VDC Motor Performance Data(24H/30/100)		
Rated Output Torque	100 N.m	
Rated Output Speed	3 rpm	
IP Class	IP 65	
Gear Ratio	236:1	
Rated Current	≤3.6A	

MAGNETIC PULSE GENERATOR DATA		
Output type	-	voltage output
pull-up resistor	-	yes
Output signal	-	2 square wave signals
Phase quadrature	-	90 °
Impulses per revolution	ppr	2,channels A and B
Operating voltage	VDC	DC5-24
Operating current	mA	max. 12
Deviation of pulse width	-	max. 15 °
Deviation of phase shift	-	max. 15 °
Output voltage(low level)	VDC	max. 0.4 (20mA)
SIGNAL RISE TIME	ns	85
SIGNAL DECAY TIME	ns	60
Operation temperature	°C	-40 - +85



REV	DATE	REVISER	REVISER		
DESIGNED BY	2019/8/1	Li Ming	 www.coresundrive.com Coresun Drive Equipment Changzhou Co., Ltd.		
CHECKED BY	2019/8/1	Rui Wang			
APPROVED BY	2019/8/1	Shane Zhang			
ALL PROPRIETARY RIGHTS IN THE SUBJECT MATTER HERE OF ARE RESERVED, AND NO PERMISSION IS GRANTED OR TO DISCLOSE REPRODUCE THIS PRINT IN WHOLE OR IN PART, ANY OF THE INFORMATION TO OTHERS.			WEIGHT	SCALE	Slewing Drive
			98 kg	1 : 4	
SYMBOL ISO			SIZE	A3	SC17-102-RC-24H30100
			SHEET	1 / 1	
					REV A