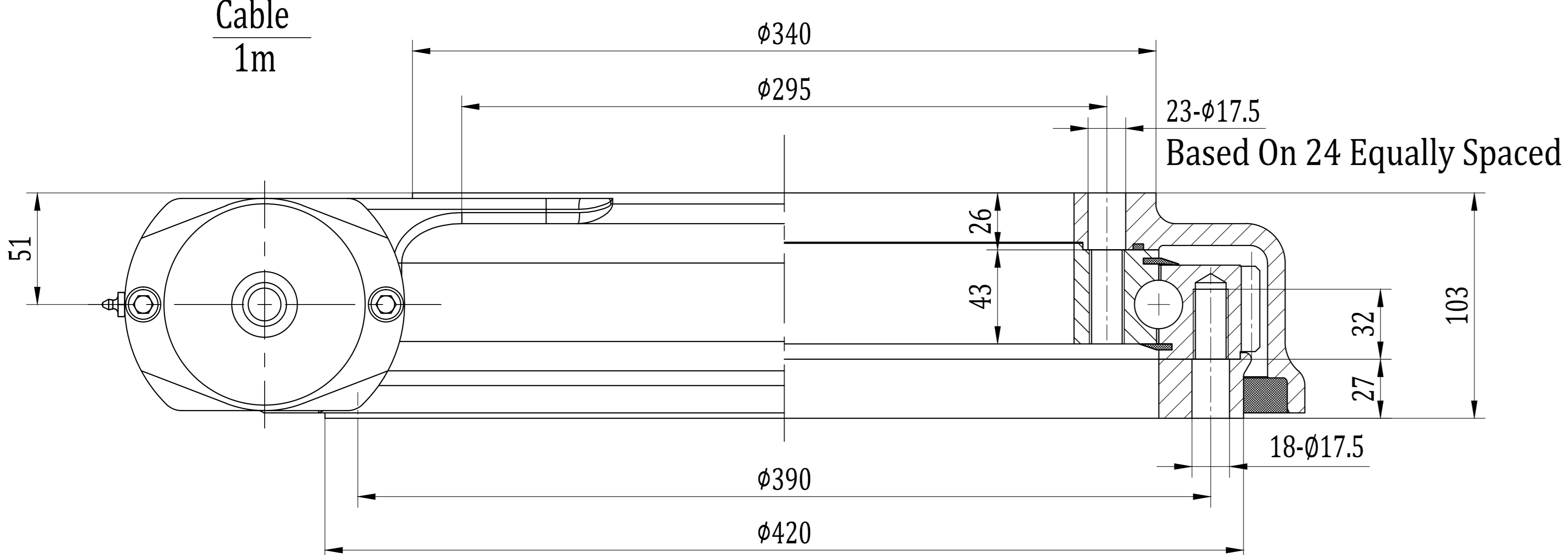
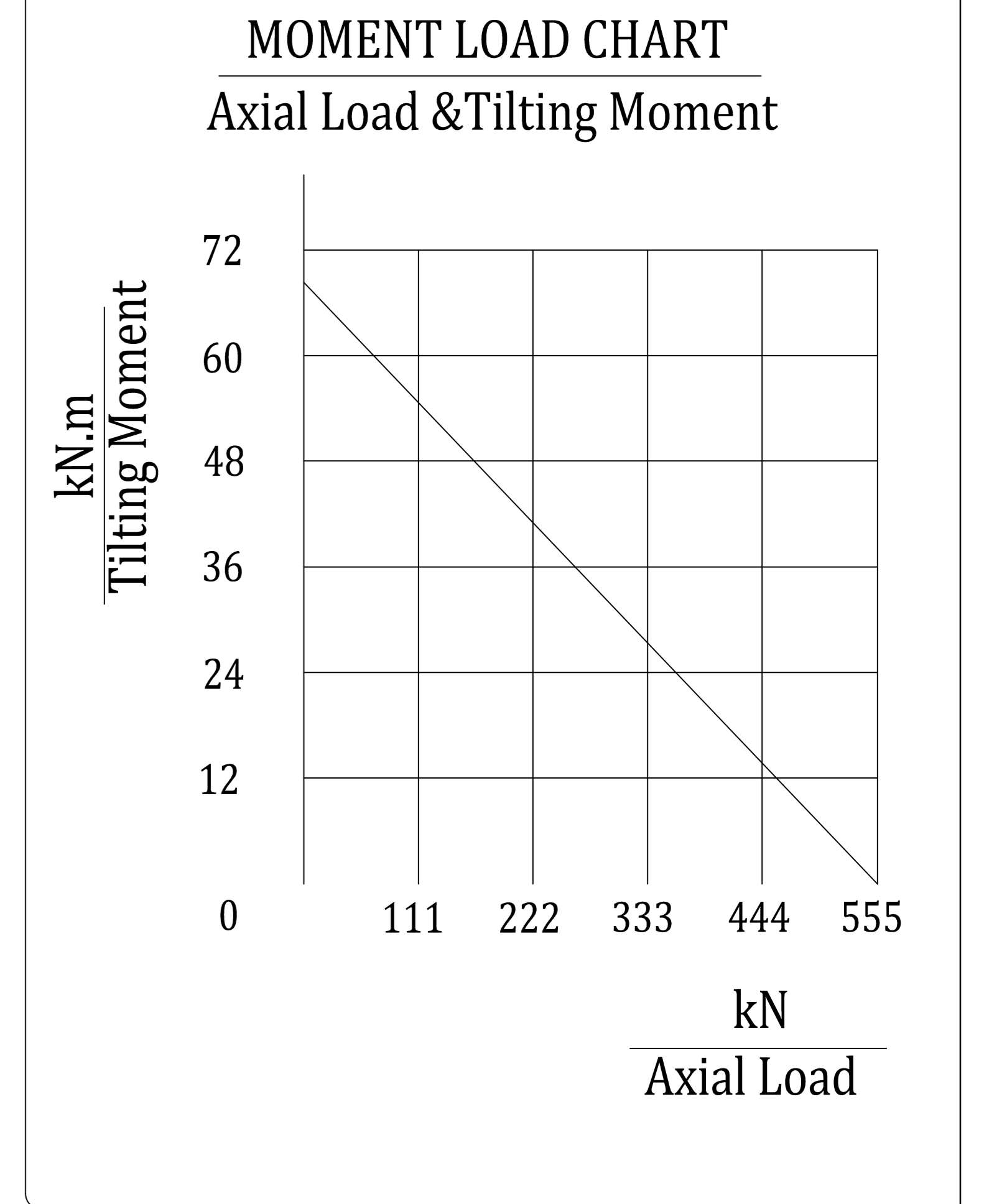
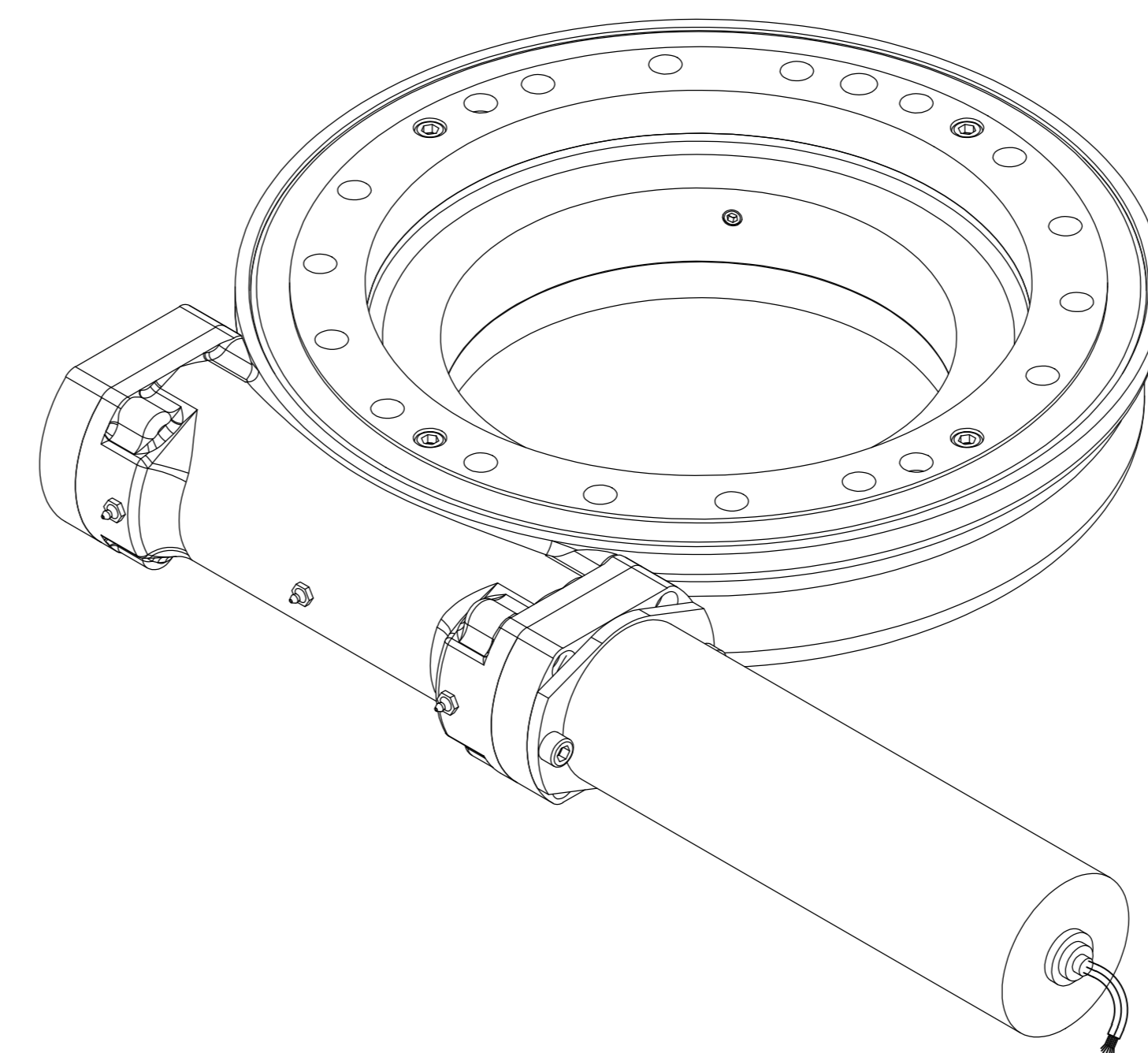


Wire Define:  
 Pin 1 (Black) motor -  
 Pin 2 (Red) motor +



Slewing Drive Performance Parameters		
Rated Output Speed	0.018 rpm	
Output Torque	10.2 kN.m	7.53x10 <sup>3</sup> lbf.ft
Tilting Moment	67.8 kN.m	50x10 <sup>3</sup> lbf.ft
Holding Torque	48 kN.m	35x10 <sup>3</sup> lbf.ft
Static Axial Load Rating	555 kN	125x10 <sup>3</sup> lbf
Static Radial Load Rating	222 kN	50x10 <sup>3</sup> lbf
Gear Ratio	85:1	
Precision	≤0.17°	
24VDC Motor Performance Data(24/15/300)		
Rated Output Torque	300 N.m	
Rated Output Speed	1.5 rpm	
IP Class	IP 65	
Rated Current	≤7.5A	



REV	DATE	REVISER	REVISER		
DESIGNED BY	2019/8/1	Li Ming	www.coresundrive.com Coresun Drive Equipment Changzhou Co., Ltd.		
CHECKED BY	2019/8/1	Rui Wang			
APPROVED BY	2019/8/1	Shane Zhang			
<small>ALL PROPRIETARY RIGHTS IN THE SUBJECT MATTER HERE OF ARE RESERVED, AND NO PERMISSION IS GRANTED OR TO DISCLOSE REPRODUCE THIS PRINT IN WHOLE OR IN PART, ANY OF THE INFORMATION TO OTHERS.</small>			WEIGHT	SCALE	<b>Slewing Drive</b> SC14-85-RC-2415300
SYMBOLS ISO			70 kg	1 : 4	
			SIZE	A3	
			SHEET	1 / 1	REV A